

# **C3000NG SERIES**

## **PROGRAMMABLE DC POWER SUPPLY**

---

Dec. 2025 Version: A/8

KEWELL TECHNOLOGY CO., LTD.

[www.kewelltest.com](http://www.kewelltest.com)



## **CONTENTS**

---

1 Summary	1
2 Product Highlights	2
3 Product Specifications	3
4 Technical Parameters	4
5 Product Features	5
6 Appearance	6

## 1 Summary

C3000NG Series is a programmable DC power supply with wide voltage range, ultra-high accuracy and fast dynamic response. It supports auto ranging output and supplies a flexible combination of voltage and current.

C3000NG Series has been widely applied in the fields of photovoltaic, electrical vehicle, battery, military, colleges and universities, as well as the testing of third-party labs.



C3000 High Voltage Series

## 2 Advantages

### 2.1 Ultra-high power density

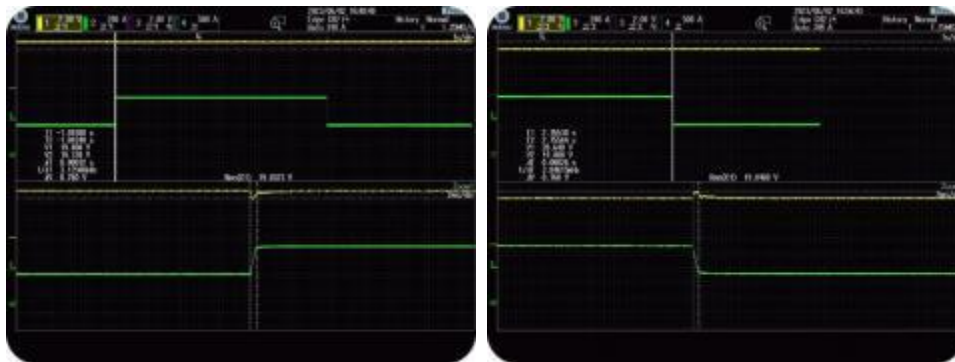
Maximum power density a single device is up to 3U/30kW, light weight and space-efficient.

### 2.2 High voltage & current accuracy

Voltage accuracy up to 0.05% F.S., current accuracy up to 0.1% F.S.

### 2.3 High-speed dynamic response

Microsecond response for sudden loading/unloading, with minimum response time of 1ms.



50% ~ 100% for sudden loading

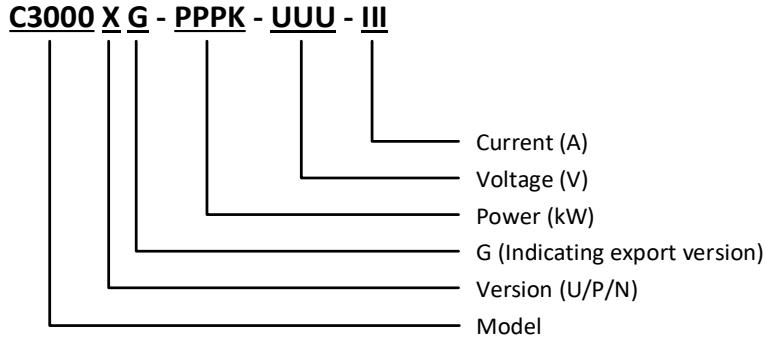
100% ~ 50%for sudden unloading

### 2.4 Flexible Parallel Connection

A single C3000NG series device can reach the maximum power of 30kW. Through flexible parallel connection, it can be expanded to higher power.

### 3 Product Specifications

#### 3.1 Model Description



#### 3.2 Product Portfolio

- Normal

Model	Power[kW]	Voltage[V]	Current[A]
C3000NG-7K5-0750-0060	7.5kW	750V	60A
C3000NG-15K-0750-0120	15kW	750V	120A
C3000NG-15K-1500-0060	15kW	1500V	60A
C3000NG-21K-2000-0060	21kW	2000V	60A
C3000NG-30K-0750-0180	30kW	750V	180A
C3000NG-30K-2000-0060	30kW	2000V	60A

#### 3.3 Functions

Model	N	P
DC Power Supply	●	●
IV Simulation	-	●

Note:

- come with standard equipment
- not equipped

## 4 Technical Parameters

### 4.1 Technical Specifications

Model		C3000NG-7K5-0750-0060	C3000NG-15K-0750-0120	C3000NG-30K-0750-0180	C3000NG-15K-1500-0060	C3000NG-21K-2000-0060	C3000NG-30K-2000-0060	
Rated	Voltage	750V	750V	750V	1500V	2000V	2000V	
	Current	60A	120A	180A	60A	60A	60A	
	Power	7.5kW	15kW	30kW	15kW	21kW	30kW	
Read-back Resolution	Voltage	0.01V						
	Current	0.01A						
	Power	1W						
Accuracy	Voltage	≤0.05%F.S.						
	Current	≤0.1% F.S.						
Line Regulation	Voltage	≤0.02%F.S.						
	Current	≤0.02%F.S.						
Load Regulation	Voltage	≤0.05%F.S.						
	Current	≤0.05%F.S.						
Ripple	Voltage Vpp (20MHz)	< 1000mV	< 3000mV	< 3000mV	< 3000mV	< 3000mV	< 3000mV	
	Voltage (rms)	< 200mV	< 300mV	< 300mV	< 400mV	< 400mV	< 400mV	
	Current (rms)	< 60mA	< 100mA	< 100mA	< 60mA	< 60mA	< 60mA	
Slew Rate /Slope	Voltage (no load)	0.001V/ms ~ 80V/ms	0.001V/ms ~ 200V/ms	0.001V/ms ~ 200V/ms	0.001V/ms ~ 200V/ms	0.001V/ms ~ 200V/ms	0.001V/ms ~ 200V/ms	
	Voltage (full load)	0.001V/ms ~ 30V/ms			0.001V/ms ~ 90V/ms			
	Current	0.001 ~ 20A/ms	0.001 ~ 60A/ms	0.001 ~ 60A/ms	0.001 ~ 20A/ms	0.001 ~ 20A/ms	0.001 ~ 20A/ms	
Dynamic Response Time		< 1ms						
Overshoot/Drop*1		10%	15%	15%	15%	10%	15%	
AC Input	Voltage	342 ~ 528Vac						
	Frequency	47Hz ~ 63Hz						
	Max. current	13.5A	27A	53.8A	27A	37.8A	53.8A	
	Max. apparent power	8kVA	16kVA	32kVA	16kVA	22.4kVA	32kVA	
Efficiency		≈95%						
Power Factor		> 0.99						
Protection		OVP, OCP, OPP, OTP, island protection, Sense reverse polarity protection						
Communication		RS485/LAN/CAN/USB						
IP Rating		IP20						
Storage temperature		-20°C ~ +70°C						
Ambient Temperature		0 ~ 40°C						
Humidity		0 ~ 90%RH, 25°C non-condensing						
Altitude		2000m						
Dimensions (mm)		736(D)*445(W)*132.5(H)						
Weight (net weight)		34kg	39kg	46kg	39kg	46kg	46kg	

\*1: Rated voltage fluctuation value at sudden change of 0-50% resistive load (at maximum voltage slew rate).

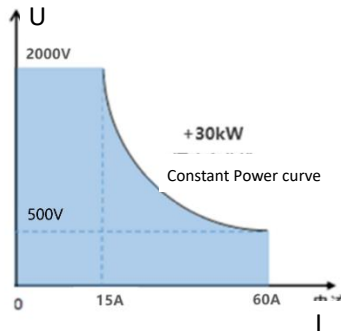
Note: The above specifications are subject to update without further notice.

## 5 Functions

### 5.1 DC Power Supply

- DC Power Supply

Steady auto-ranging output, output voltage up to 2000V, and power output up to 30kW per device.



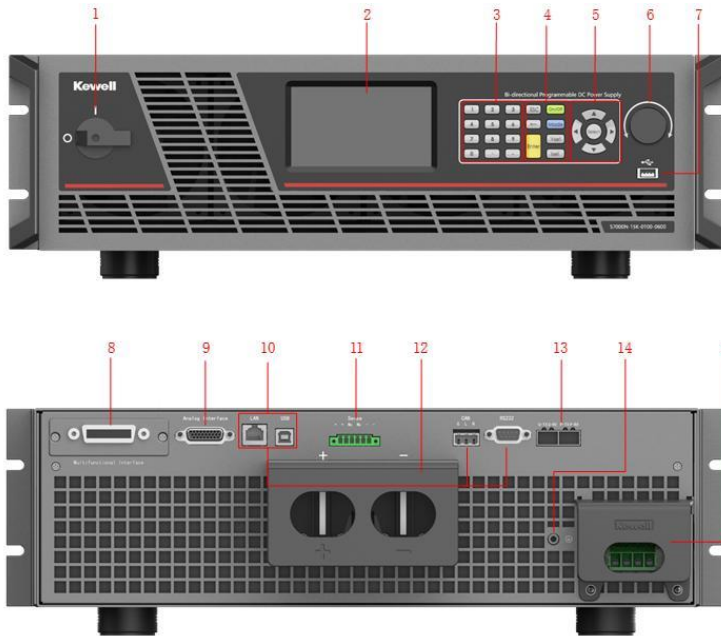
- Multi-step operation

Up to 999 work steps editable, work steps can be set in cycles.



## 6 Appearance

### 6.1 Single Device



No.	Description
1	Power switch
2	TFT touch screen
3	Numeric keys
4	Function keys
5	Arrow keys
6	Push-button knob
7	USB port
8	Multi-function port
9	Simulation port
10	Communication interface (RS485/LAN/CAN/USB)
11	Remote sensing port
12	DC output
13	Parallel port
14	Grounding
15	AC input

### 6.2 Rack Solution



(unit: mm)

Model	Number	Dimensions (W*D*H)	Weight(Cabinet alone)
HK-15U	2~3 devices	610*1026*1006mm	130kg
HK-29U	4~6 devices	610*1026*1554mm	220kg
HK-42U	7~9 devices	610*1026*1999mm	280kg